



# PENDANT LIGHT

IPL393B01  
09/15

QUESTIONS OR CONCERNS CONTACT CANARM AT:  
1-800-265-1833 (English) 1-800-567-2513 (French)  
Monday through Friday 8:00 AM to 5:00 PM E.S.T.

INSTRUCTIONS PERTAINING TO RISK OF FIRE OR INJURY TO PERSONS  
READ ALL INSTRUCTIONS



**IMPORTANT SAFETY INSTRUCTIONS**  
**SAVE THESE INSTRUCTIONS**

### TOOLS AND MATERIALS REQUIRED:



Phillips Screwdriver



Wire Cutters



Pliers



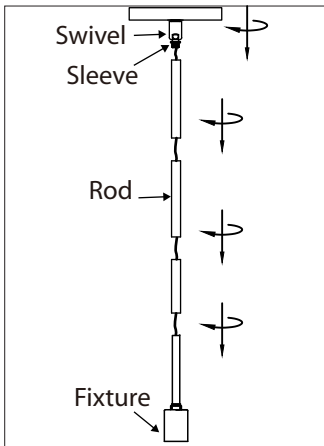
Wrench

Wiring supplies as required by the Canadian Electrical Code and/or the Quebec Electrical code

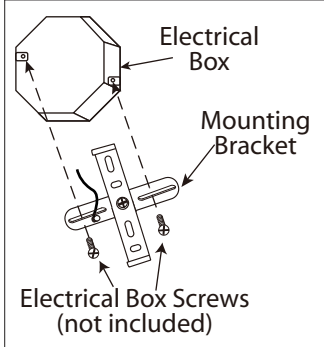
### SAFETY PRECAUTIONS:

1. TURN OFF ELECTRICAL POWER BEFORE STARTING INSTALLATION OF LIGHT FIXTURE.
  2. THIS PRODUCT MUST BE INSTALLED IN ACCORDANCE WITH THE APPLICABLE INSTALLATION CODE BY A PERSON FAMILIAR WITH THE CONSTRUCTION AND OPERATION OF THE PRODUCT AND THE HAZARDS INVOLVED.
  3. CONNECT THE GROUND WIRES (BARE COPPER OR GREEN) FROM YOUR FIXTURE TO THE GROUND WIRE (BARE COPPER OR GREEN) OR GROUND SCREW IN THE ELECTRICAL BOX.
- NOTE: Product May Not Look Exactly As Shown In Figures.**

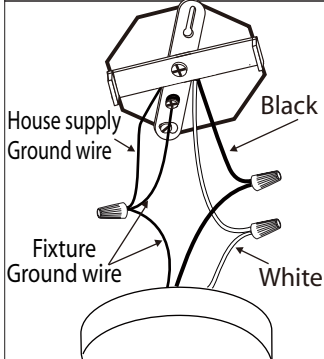
### INSTALLATION:



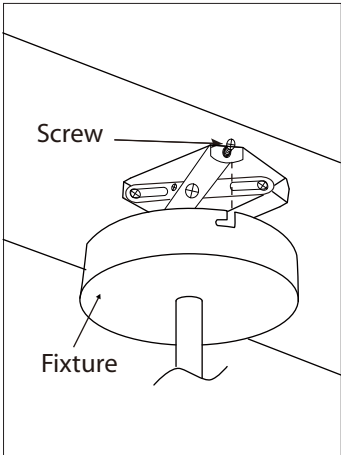
**1.** Install the length of rod that is required by threading wire through the rod and screwing it to the fixture. Install swivel to the rod, ensuring that the sleeve is at the swivel.



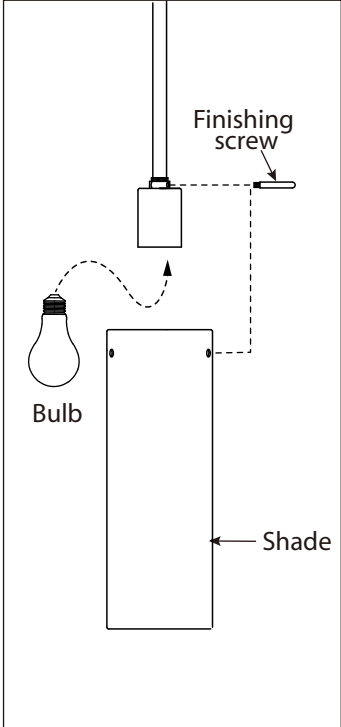
**2.** Mount the mounting bracket to electrical box using electrical box screws (not included).



**3.** Connect the ground wires (bare copper or green) from your fixture to the ground wire (bare copper or green) or ground screw in the electrical box. Connect the black wire (or wire with marking) from the fixture to the black wire in the electrical box and connect the white wire from the fixture to the white wire in the electrical box.



**4.** Once connections of wires are completed, carefully tuck wires and wire nuts into the electrical box making sure no bare wire (on the black and white) is visible at the wire nuts.



**5.** Remove one screw from the mounting bracket. Tuck electrical wires into outlet box and position fixture over the mounting bracket. Line up the screw in the bracket to the "7" hole on the fixture. Slide fixture to secure in place. Insert remaining screw. Tighten both screws to secure.

**6.** Install specified bulb type and wattage (not included).

**7.** Remove the finishing screws that are already on your fixture.

**8.** Position shade in place and secure with finishing screws.